

CD-SERIES

CAPACITIVE HIGH VOLTAGE PULSE DIVIDERS IN OIL & AIR

High Voltage Square Pulse & Pulses,
Wave-shape Signal upto 150kVp 300kVp 500kVp in oil ,
Voltage ratio 10000/1 in normal & custom available.



CD-series, Capacitive High Voltage Dividers Pulse, (AC p-p), Dividers in Oil & Air

CD-series are Capacitive high voltage dividers used for the measurement of pulse voltages 150kVp, 300kVp, 500kVp in stock and up to 1000 kilovolts as custom. 3RLab's high quality and high stability voltage dividers can be coordinated with various design and size in client's application of projects, to show in 1M Ω 12pF oscilloscope, as well as analogue output.

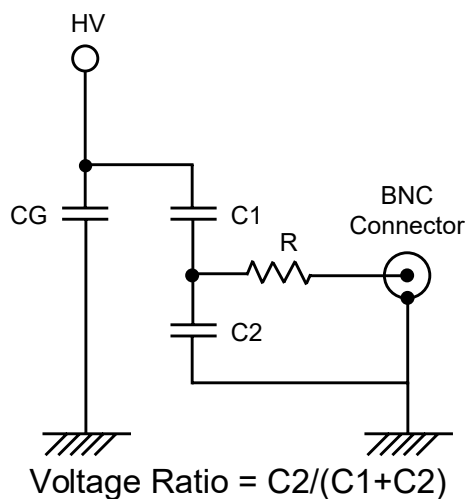
3RLab can supply more detail of test results and data, Almost specified data for the high voltage engineering what tested from High Voltage Square Pulse Modulator in our factory. The voltage ratio able to adjustable in user's factory simply.

Various custom design available.

please contact 3RLab,Inc.



Electrical Schematic



CD-SERIES

CAPACITIVE HIGH VOLTAGE PULSE DIVIDERS IN OIL & AIR

High Voltage Square Pulse & Pulses,
Wave-shape Signal upto 150kVp 300kVp 500kVp in oil ,
Voltage ratio 10000/1 in normal & custom available.



SPECIFICATIONS

Model Nr.	Unit	CD-150	CD-300	CD-500	Remarks
Max. Pulse Voltage in Oil	[kVp]	150	300	500	
Max. Pulse Voltage in Air	[kVp]	25	50	70	
Voltage Ratio in Oil (standard calibration)		5000/1	10000/1	10000/1	
Dielectric constant of the insulating oil & name		Vegetable Eco High Voltage Oil Prefer			
Voltage Ratio in Air		11500/1	11500/1 or 23000/1	23000/1	Apprx.
Frequency Range, into 1MΩ load		15 Hz to 4MHz typ.			
Basically attached & supply of RG cable length	[M]	1	1	1	
Rise time at square pulse	[nSec]	100nSec ~ 200nSec. typ.			
Capacitance (apprx.) in High 'C1', See Fig. Nr. :	[pF]	OpF Typ.			w/o 'CG', Apprx.
Measuring Pulse Duration Typ.		Around 0μSec			
Material of High Voltage Electrode		Aluminum			
Terminal type of the top in High Voltage Electrode		Corona Ring & M5 bolt	Corona Ring & M6 bolt		
Material of Bottom/Guard Case		Aluminum			
Material of Bottom Plate		Aluminum			
Material of Upper/High Voltage Insulating Tube**		Poly Carbonate			**do not dip in organic solvent
Drain Oil from Bottom Case		Yes, Available through holes in bottom plate & bottom case			
HV connection methods on HV electrode		See Fig. Nr. :			
How to away the Ground from HV electrode		See Fig. Nr. :			

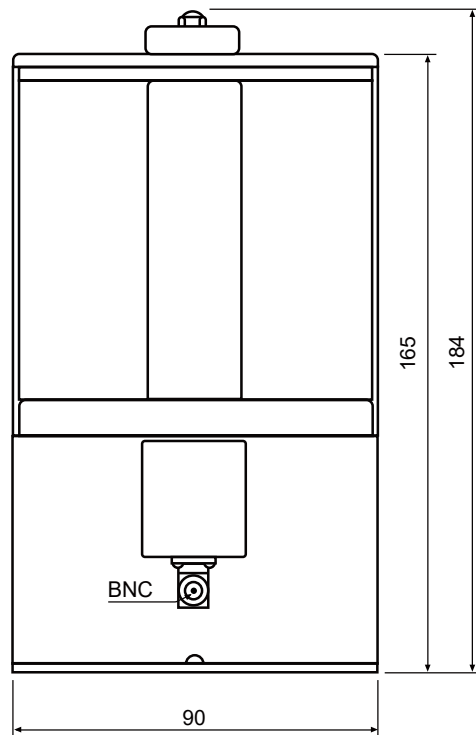
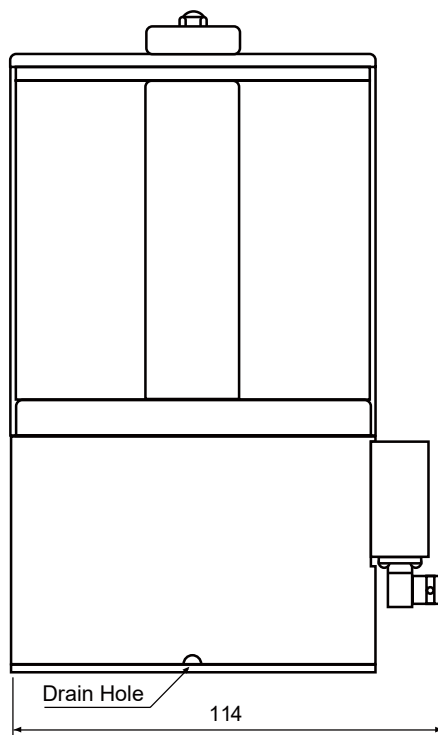
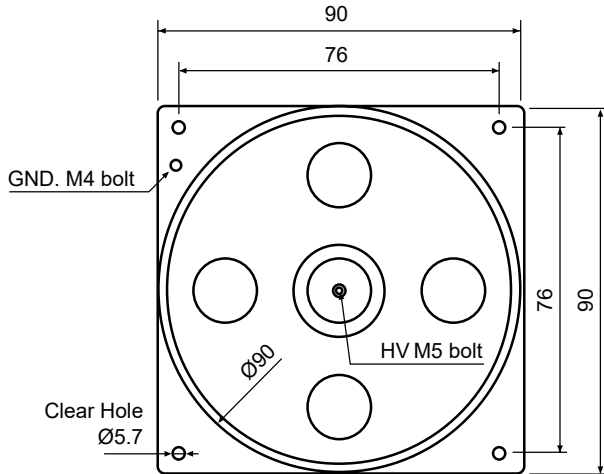
CD-SERIES

CAPACITIVE HIGH VOLTAGE PULSE DIVIDERS IN OIL & AIR

High Voltage Square Pulse & Pulses,
Wave-shape Signal upto 150kVp 300kVp 500kVp in oil,
Voltage ratio 10000/1 in normal & custom available.



CD150



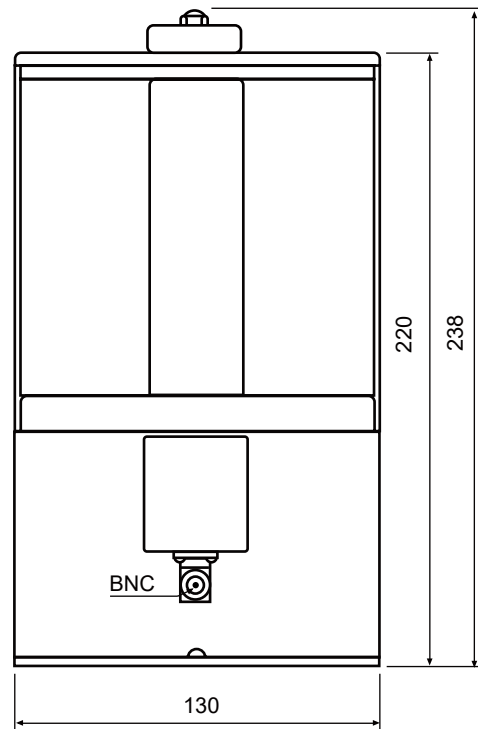
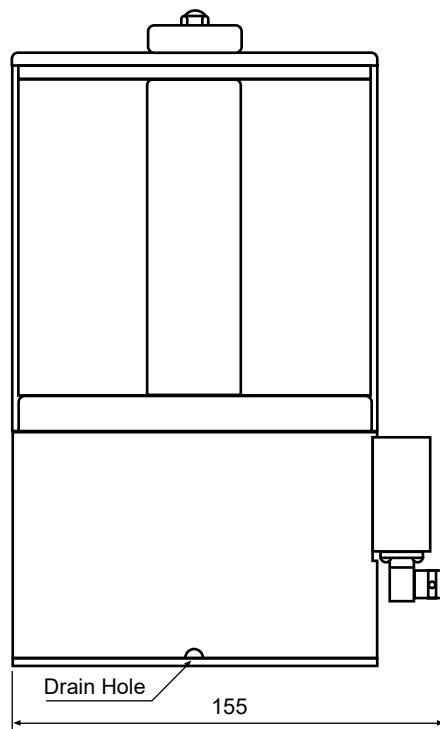
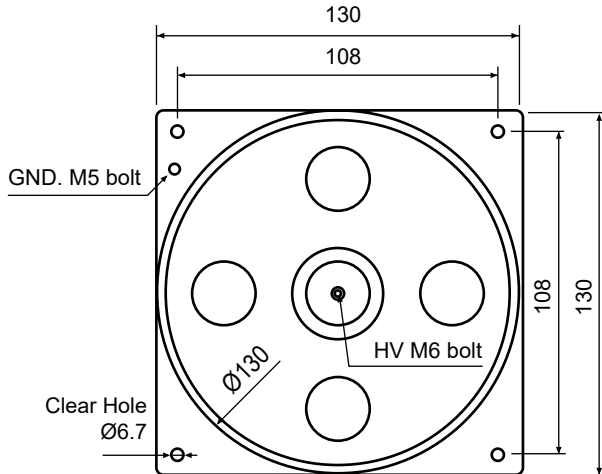
CD-SERIES

CAPACITIVE HIGH VOLTAGE PULSE DIVIDERS IN OIL & AIR

High Voltage Square Pulse & Pulses,
Wave-shape Signal upto 150kVp 300kVp 500kVp in oil,
Voltage ratio 10000/1 in normal & custom available.



CD300



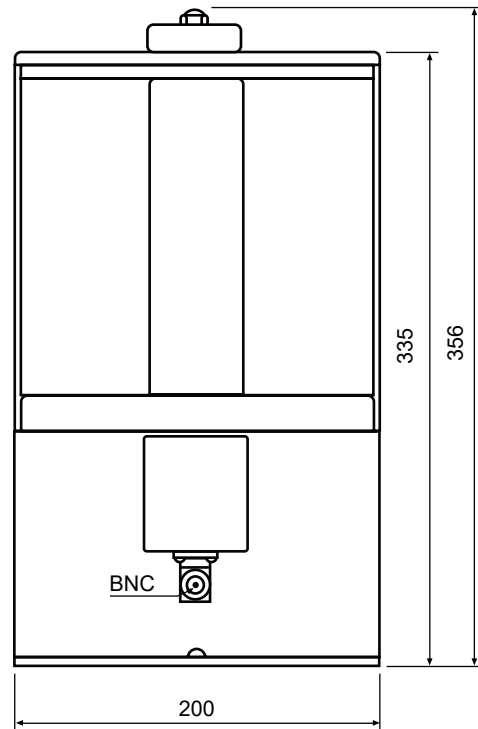
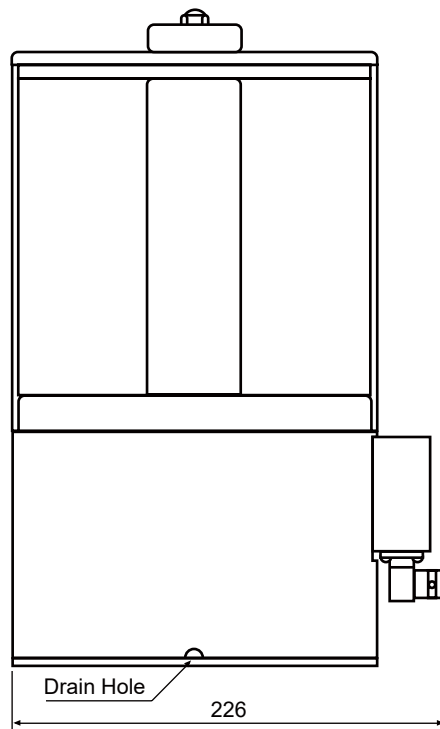
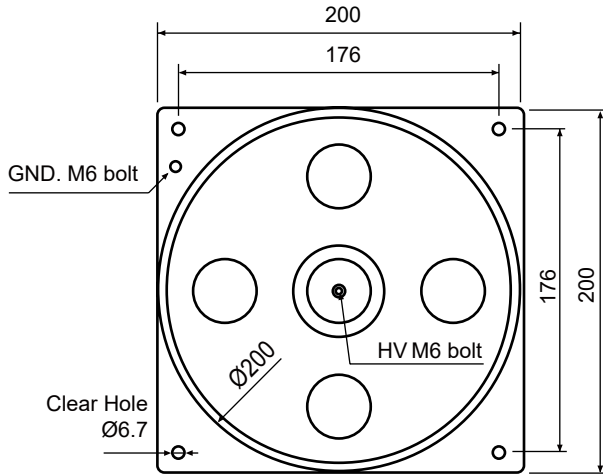
CD-SERIES

CAPACITIVE HIGH VOLTAGE PULSE DIVIDERS IN OIL & AIR

High Voltage Square Pulse & Pulses,
Wave-shape Signal upto 150kVp 300kVp 500kVp in oil,
Voltage ratio 10000/1 in normal & custom available.



CD500



ALL INFORMATION ON THIS FILE IS SUBJECT TO CHANGE WITHOUT PRE-NOTICE.