

# MX7

HIGH VOLTAGE DC CAPACITORS

HIGH DENSITY, LOW INDUCTANCE  
DC-LINK CAPACITORS ALUMINUM CASE  
CUSTOM DESIGNS AVAILABLE



## MAIN CHARACTERISTICS:

- SELF-HEALING METALLIZED POLYPROPYLENE FILM
- ALUMINUM CASE
- DRY RESIN FILLING



## MAIN APPLICATIONS:

- DC-LINK
- ENERGY STORAGE / PULSE GENERATION



## SPECIFICATIONS



DC VOLTAGE RANGE	600~3600 VDC
MAXIMUM RIPPLE VOLTAGE	900 V
MAXIMUM RIPPLE CURRENT	164 A
CAPACITANCE RANGE	UP TO 7290 $\mu$ F
CAPACITANCE TOLERANCE	STANDARD: $\pm$ 10% ON REQUEST $\pm$ 5%
EQUIVALENT SERIES RESISTANCE (ESR)	< 8.3 m $\Omega$
MAXIMUM VOLTAGE RATE OF RISE(dV/dT)	$\leq$ 570 V/ $\mu$ s
TERMINALS	M6 TAP DEPTH 10mm
VOLTAGE TEST	RATED VOLTAGE X 1.4 TIMES FOR 10 SECS
WORKING & STORAGE TEMPERATURE	-55 / +85 $^{\circ}$ C
FILLING	DRY POLYURETHANE RESIN
PROTECTIVE MECHANISM	SELF HEALING
CYLINDRICAL CASE	ALUMINUM
LIFE EXPECTANCY	100,000 HOURS TYP.
M6 SCREW TERMINALS	MAX. 6 N·m

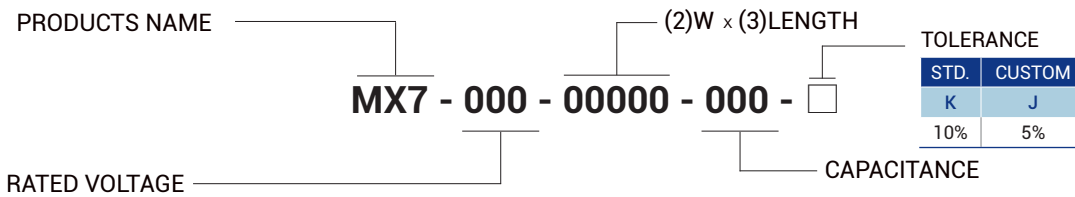
# MX7

HIGH VOLTAGE DC CAPACITORS

HIGH DENSITY, LOW INDUCTANCE  
DC-LINK CAPACITORS ALUMINUM CASE  
CUSTOM DESIGNS AVAILABLE

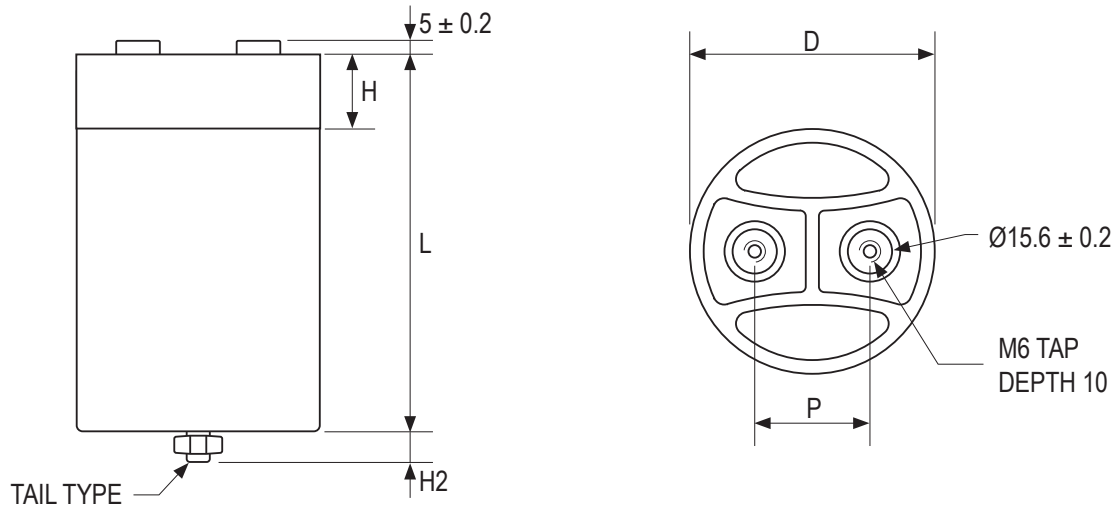


## ORDERING INFORMATION



ALL SPECIFICATIONS MAY CHANGE WITHOUT NOTICE

## DIMENSIONS [mm]



CASE TYPE					
TYPE	DIMENSIONS [mm]			TAIL TYPE	
	D	H	P	TERMINAL	H2
A	76	20	32	M12	16
B	96	20	45		
C	116	22	50		
D	136	30	50		
E	136	30	50	M16	25

# MX7

HIGH VOLTAGE DC CAPACITORS

HIGH DENSITY, LOW INDUCTANCE

DC-LINK CAPACITORS ALUMINUM CASE

CUSTOM DESIGNS AVAILABLE



600VDC, RATED VOLTAGE											
VOLTAGE [V]			CAP <sup>(3)</sup>	DIMENSIONS [mm]			CURRENT		ESR	CASE TYPE	ORDERING CODE
VDC	V-RIPPLE	V-PEAK <sup>(1)</sup>	μF	D	L	TER-MINAL	I-PEAK <sup>(2)</sup> [kA]	I-RMS [A]	mΩ		
600	100	900	555	76	115	M6	2.6	27	3.5	A	MX7-006-076115-557-K
600	100	900	680	76	115	M6	2.8	29	3.2	A	MX7-006-076115-687-K
600	100	900	930	76	165	M6	1.7	18	5.2	A	MX7-006-076165-937-K
600	100	900	1035	76	165	M6	1.8	19	5.0	A	MX7-006-076165-108-K
600	100	900	1110	96	170	M6	1.9	20	4.8	B	MX7-006-096170-118-K
600	100	900	1265	96	170	M6	2.0	21	4.5	B	MX7-006-096170-128-K
600	100	900	1360	96	170	M6	2.1	22	4.4	B	MX7-006-096170-138-K
600	100	900	1450	96	170	M6	2.1	22	4.3	B	MX7-006-096170-148-K
600	100	900	1725	96	170	M6	2.3	24	3.9	B	MX7-006-096170-178-K
600	100	900	2070	116	148	M6	3.2	33	2.8	C	MX7-006-116148-208-K
600	100	900	2430	136	130	M6	4.4	46	2.0	D	MX7-006-136130-248-K
600	100	900	2530	116	203	M6	2.7	29	3.3	C	MX7-006-116203-258-K
600	100	900	3105	116	253	M6	1.8	19	5.0	C	MX7-006-116253-318-K
600	100	900	3310	116	253	M6	1.8	19	4.9	C	MX7-006-116253-338-K
600	100	900	3795	116	253	M6	1.7	18	5.3	C	MX7-006-116253-378-K
600	100	900	4140	116	323	M6	1.2	13	7.2	C	MX7-006-116323-418-K
600	100	900	4365	136	290	M6	2.0	21	4.6	E	MX7-006-136290-438-K
600	100	900	5060	116	323	M6	1.4	14	6.6	C	MX7-006-116323-508-K
600	100	900	5820	136	290	M6	1.8	19	4.9	E	MX7-006-136290-588-K
600	100	900	7290	136	330	M6	1.6	17	5.5	E	MX7-006-136330-728-K

\*\*CUSTOM CAPACITANCE AND THREAD TERMINALS ARE AVAILABLE

(1) NON-REPETITIVE PEAK VOLTAGE LESS THAN 00ms TYP.

(2) NON-REPETITIVE PEAK CURRENT LESS THAN 00ms TYP.

(3) MEASURED AT 1kHz ±20Hz AT 25°C

# MX7

HIGH VOLTAGE DC CAPACITORS

HIGH DENSITY, LOW INDUCTANCE

DC-LINK CAPACITORS ALUMINUM CASE

CUSTOM DESIGNS AVAILABLE



700VDC, RATED VOLTAGE											
VOLTAGE [V]			CAP <sup>(3)</sup>	DIMENSIONS [mm]			CURRENT		ESR	CASE TYPE	ORDERING CODE
VDC	V-RIPPLE	V-PEAK <sup>(1)</sup>	μF	D	L	TER-MINAL	I-PEAK <sup>(2)</sup> [kA]	I-RMS [A]	mΩ		
700	120	1000	410	76	115	M6	3.0	32	3.3	A	MX7-007-076115-417-K
700	120	1000	765	96	120	M6	4.0	42	2.5	B	MX7-007-096120-767-K
700	120	1000	820	96	170	M6	2.2	23	4.5	B	MX7-007-096170-827-K
700	120	1000	1070	96	170	M6	2.5	26	4.0	B	MX7-007-096170-108-K
700	120	1000	1530	116	148	M6	3.7	38	2.7	C	MX7-007-116148-158-K
700	120	1000	1545	116	148	M6	3.7	39	2.7	C	MX7-007-116148-158-K
700	120	1000	2295	116	253	M6	2.1	22	4.8	C	MX7-007-116253-228-K
700	120	1000	3060	116	323	M6	1.5	15	6.9	C	MX7-007-116323-308-K
700	120	1000	3240	116	323	M6	1.5	16	6.7	C	MX7-007-116323-328-K
700	120	1000	4320	136	290	M6	2.2	23	4.6	E	MX7-007-136290-438-K

\*\*CUSTOM CAPACITANCE AND THREAD TERMINALS ARE AVAILABLE

(1) NON-REPETITIVE PEAK VOLTAGE LESS THAN 00ms TYP.

(2) NON-REPETITIVE PEAK CURRENT LESS THAN 00ms TYP.

(3) MEASURED AT 1kHz ±20Hz AT 25°C

# MX7

HIGH VOLTAGE DC CAPACITORS

HIGH DENSITY, LOW INDUCTANCE

DC-LINK CAPACITORS ALUMINUM CASE

CUSTOM DESIGNS AVAILABLE



900VDC, RATED VOLTAGE											
VOLTAGE [V]			CAP <sup>(3)</sup>	DIMENSIONS [mm]			CURRENT		ESR	CASE TYPE	ORDERING CODE
VDC	V-RIPPLE	V-PEAK <sup>(1)</sup>	μF	D	L	TER-MINAL	I-PEAK <sup>(2)</sup> [kA]	I-RMS [A]	mΩ		
900	225	1350	350	76	115	M6	4.1	43	3.3	A	MX7-009-076115-357-K
900	225	1350	430	96	120	M6	4.5	47	3.0	B	MX7-009-096120-437-K
900	225	1350	590	96	120	M6	4.4	46	3.1	B	MX7-009-096120-597-K
900	225	1350	650	96	120	M6	4.7	49	2.9	B	MX7-009-096120-657-K
900	225	1350	655	96	120	M6	4.7	50	2.9	B	MX7-009-096120-657-K
900	225	1350	700	96	170	M6	3.0	31	4.5	B	MX7-009-096170-707-K
900	225	1350	745	96	170	M6	3.1	32	4.4	B	MX7-009-096170-747-K
900	225	1350	860	96	170	M6	3.2	34	4.2	B	MX7-009-096170-867-K
900	225	1350	910	96	170	M6	3.4	35	4.0	B	MX7-009-096170-917-K
900	225	1350	935	96	170	M6	3.4	36	4.0	B	MX7-009-096170-937-K
900	225	1350	965	116	148	M6	4.2	44	3.2	C	MX7-009-116148-967-K
900	225	1350	1095	116	148	M6	4.5	47	3.0	C	MX7-009-116148-108-K
900	225	1350	1310	116	148	M6	4.6	49	2.9	C	MX7-009-116148-138-K
900	225	1350	1520	116	203	M6	3.7	39	3.6	C	MX7-009-116203-158-K
900	225	1350	1530	136	130	M6	6.1	64	2.2	D	MX7-009-136130-158-K
900	225	1350	1740	116	203	M6	3.1	33	4.3	C	MX7-009-116203-178-K
900	225	1350	1965	116	253	M6	2.5	26	5.5	C	MX7-009-116253-198-K
900	225	1350	2190	116	253	M6	2.6	27	5.2	C	MX7-009-116253-218-K
900	225	1350	2620	116	323	M6	2.0	21	6.8	C	MX7-009-116323-268-K
900	225	1350	2745	116	323	M6	2.0	21	6.6	C	MX7-009-116323-278-K
900	225	1350	3285	136	290	M6	2.6	28	5.1	E	MX7-009-136290-328-K
900	225	1350	3480	136	290	M6	2.7	29	5.0	E	MX7-009-136290-348-K
900	225	1350	3660	136	330	M6	2.3	24	5.8	E	MX7-009-136330-368-K

\*\*CUSTOM CAPACITANCE AND THREAD TERMINALS ARE AVAILABLE

(1) NON-REPETITIVE PEAK VOLTAGE LESS THAN 00ms TYP.

(2) NON-REPETITIVE PEAK CURRENT LESS THAN 00ms TYP.

(3) MEASURED AT 1kHz ±20Hz AT 25°C

#303 Hyundai I Valley, 149 Gongdanro, Gunpo City, Gyeonggi-do, Korea

VOICE. +82-31-429-6379 FAX. +82-31-429-9127

info@3RLab.com www.3RLab.com 3RLab, Inc.



UPDATE 2023-05-03

# MX7

HIGH VOLTAGE DC CAPACITORS

HIGH DENSITY, LOW INDUCTANCE

DC-LINK CAPACITORS ALUMINUM CASE

CUSTOM DESIGNS AVAILABLE



1100VDC, RATED VOLTAGE											
VOLTAGE [V]			CAP <sup>(3)</sup>	DIMENSIONS [mm]			CURRENT		ESR	CASE TYPE	ORDERING CODE
VDC	V-RIPPLE	V-PEAK <sup>(1)</sup>	μF	D	L	TER-MINAL	I-PEAK <sup>(2)</sup> [kA]	I-RMS [A]	mΩ		
1100	250	1500	220	76	115	M6	5.0	52	3.0	A	MX7-011-076115-227-K
1100	250	1500	250	96	120	M6	4.5	48	3.3	B	MX7-011-096120-257-K
1100	250	1500	280	96	120	M6	4.8	51	3.1	B	MX7-011-096120-287-K
1100	250	1500	375	96	120	M6	5.4	57	2.8	B	MX7-011-096120-377-K
1100	250	1500	380	96	120	M6	5.6	59	2.7	B	MX7-011-096120-387-K
1100	250	1500	415	96	120	M6	5.7	60	2.6	B	MX7-011-096120-417-K
1100	250	1500	420	96	120	M6	5.8	61	2.6	B	MX7-011-096120-427-K
1100	250	1500	450	96	170	M6	3.6	38	4.2	B	MX7-011-096170-457-K
1100	250	1500	560	96	170	M6	4.0	42	3.7	B	MX7-011-096170-567-K
1100	250	1500	580	96	170	M6	4.1	43	3.7	B	MX7-011-096170-587-K
1100	250	1500	605	96	170	M6	4.2	44	3.6	B	MX7-011-096170-607-K
1100	250	1500	705	116	148	M6	5.3	55	2.9	C	MX7-011-116148-707-K
1100	250	1500	790	116	148	M6	5.6	59	2.7	C	MX7-011-116148-797-K
1100	250	1500	830	116	148	M6	5.7	60	2.6	C	MX7-011-116148-837-K
1100	250	1500	855	116	203	M6	4.4	47	3.4	C	MX7-011-116203-857-K
1100	250	1500	990	116	203	M6	4.7	50	3.2	C	MX7-011-116203-997-K
1100	250	1500	1000	136	130	M6	7.5	79	2.0	D	MX7-011-136130-108-K
1100	250	1500	1100	116	203	M6	3.8	40	4.0	C	MX7-011-116203-118-K
1100	250	1500	1245	116	253	M6	3.0	32	5.0	C	MX7-011-116253-128-K
1100	250	1500	1410	116	253	M6	3.2	34	4.7	C	MX7-011-116253-148-K
1100	250	1500	1660	116	323	M6	2.4	26	6.2	C	MX7-011-116323-168-K
1100	250	1500	1755	136	290	M6	3.0	31	5.1	E	MX7-011-136290-178-K
1100	250	1500	2115	136	290	M6	3.2	34	4.7	E	MX7-011-136290-218-K

\*\*CUSTOM CAPACITANCE AND THREAD TERMINALS ARE AVAILABLE

(1) NON-REPETITIVE PEAK VOLTAGE LESS THAN 00ms TYP.

(2) NON-REPETITIVE PEAK CURRENT LESS THAN 00ms TYP.

(3) MEASURED AT 1kHz ±20Hz AT 25°C

#303 Hyundai I Valley, 149 Gongdanro, Gunpo City, Gyeonggido, Korea

VOICE. +82-31-429-6379 FAX. +82-31-429-9127

info@3RLab.com www.3RLab.com 3RLab, Inc.



UPDATE 2023-05-03

# MX7

HIGH VOLTAGE DC CAPACITORS

HIGH DENSITY, LOW INDUCTANCE

DC-LINK CAPACITORS ALUMINUM CASE

CUSTOM DESIGNS AVAILABLE



1100	250	1500	2200	136	290	M6	3.3	34	4.6	E	MX7-011-136290-228-K
1100	250	1500	2300	136	330	M6	2.6	27	5.8	E	MX7-011-136330-238-K

1200VDC, RATED VOLTAGE											
VOLTAGE [V]			CAP <sup>(3)</sup>	DIMENSIONS [mm]			CURRENT		ESR	CASE TYPE	ORDERING CODE
VDC	V-RIPPLE	V-PEAK <sup>(1)</sup>	μF	D	L	TER-MINAL	I-PEAK <sup>(2)</sup> [kA]	I-RMS [A]	mΩ		
1200	300	1800	185	76	115	M6	5.4	57	3.3	A	MX7-012-076115-187-K
1200	300	1800	225	96	120	M6	6.0	63	3.0	B	MX7-012-096120-227-K
1200	300	1800	345	96	120	M6	6.2	65	2.9	B	MX7-012-096120-347-K
1200	300	1800	345	116	148	M6	6.6	69	2.7	C	MX7-012-116148-347-K
1200	300	1800	370	96	170	M6	4.0	42	4.5	B	MX7-012-096170-377-K
1200	300	1800	600	116	148	M6	5.8	61	3.1	C	MX7-012-116148-607-K
1200	300	1800	1035	116	253	M6	3.8	40	4.8	C	MX7-012-116253-108-K
1200	300	1800	1380	116	323	M6	2.6	28	6.8	C	MX7-012-116323-138-K
1200	300	1800	1940	136	330	M6	3.1	33	5.8	E	MX7-012-136330-198-K

\*\*CUSTOM CAPACITANCE AND THREAD TERMINALS ARE AVAILABLE

(1) NON-REPETITIVE PEAK VOLTAGE LESS THAN 00ms TYP.

(2) NON-REPETITIVE PEAK CURRENT LESS THAN 00ms TYP.

(3) MEASURED AT 1kHz ±20Hz AT 25°C

# MX7

## HIGH VOLTAGE DC CAPACITORS

HIGH DENSITY, LOW INDUCTANCE

DC-LINK CAPACITORS ALUMINUM CASE

CUSTOM DESIGNS AVAILABLE



1300VDC, RATED VOLTAGE											
VOLTAGE [V]			CAP <sup>(3)</sup> μF	DIMENSIONS [mm]			CURRENT		ESR mΩ	CASE TYPE	ORDERING CODE
VDC	V -RIPPLE	V-PEAK <sup>(1)</sup>		D	L	TERMINAL	I-PEAK <sup>(2)</sup> [kA]	I-RMS [A]			
1300	320	1900	145	76	115	M6	5.7	60	3.3	A	MX7-013-076115-147-K
1300	320	1900	180	96	120	M6	6.3	66	3.0	B	MX7-013-096120-187-K
1300	320	1900	215	96	120	M6	6.9	72	2.8	B	MX7-013-096120-217-K
1300	320	1900	275	96	120	M6	6.6	69	2.9	B	MX7-013-096120-277-K
1300	320	1900	290	96	170	M6	4.1	44	4.6	B	MX7-013-096170-297-K
1300	320	1900	335	116	148	M6	5.2	55	3.6	C	MX7-013-116148-337-K
1300	320	1900	360	96	170	M6	4.6	48	4.1	B	MX7-013-096170-367-K
1300	320	1900	380	96	170	M6	4.7	49	4.1	B	MX7-013-096170-387-K
1300	320	1900	380	116	148	M6	5.5	58	3.4	C	MX7-013-116148-387-K
1300	320	1900	395	96	170	M6	4.8	51	4.0	B	MX7-013-096170-397-K
1300	320	1900	430	96	170	M6	5.0	52	3.8	B	MX7-013-096170-437-K
1300	320	1900	515	116	148	M6	6.1	64	3.1	C	MX7-013-116148-517-K
1300	320	1900	550	116	148	M6	6.6	69	2.9	C	MX7-013-116148-557-K
1300	320	1900	670	116	203	M6	4.2	45	4.5	C	MX7-013-116203-677-K
1300	320	1900	730	116	203	M6	4.4	46	4.4	C	MX7-013-116203-737-K
1300	320	1900	760	116	203	M6	4.5	47	4.2	C	MX7-013-116203-767-K
1300	320	1900	825	116	253	M6	4.0	42	4.8	C	MX7-013-116253-827-K
1300	320	1900	1005	116	253	M6	3.8	40	5.0	C	MX7-013-116253-108-K
1300	320	1900	1100	116	323	M6	2.8	30	6.8	C	MX7-013-116323-118-K
1300	320	1900	1170	116	323	M6	2.9	30	6.6	C	MX7-013-116323-118-K
1300	320	1900	1460	136	290	M6	3.8	40	5.0	E	MX7-013-136290-148-K
1300	320	1900	1695	136	330	M6	3.4	36	5.6	E	MX7-013-136330-168-K

\*\*CUSTOM CAPACITANCE AND THREAD TERMINALS ARE AVAILABLE

(1) NON-REPETITIVE PEAK VOLTAGE LESS THAN 00ms TYP.

(2) NON-REPETITIVE PEAK CURRENT LESS THAN 00ms TYP.

(3) MEASURED AT 1kHz ±20Hz AT 25°C



# MX7

HIGH VOLTAGE DC CAPACITORS

HIGH DENSITY, LOW INDUCTANCE

DC-LINK CAPACITORS ALUMINUM CASE

CUSTOM DESIGNS AVAILABLE



1500VDC, RATED VOLTAGE											
VOLTAGE [V]			CAP <sup>(3)</sup> μF	DIMENSIONS [mm]			CURRENT		ESR mΩ	CASE TYPE	ORDERING CODE
VDC	V -RIPPLE	V-PEAK <sup>(1)</sup>		D	L	TER- MINAL	I-PEAK <sup>(2)</sup> [kA]	I-RMS [A]			
1500	375	2250	180	96	120	M6	7.2	75	3.1	B	MX7-015-096120-187-K
1500	375	2250	195	96	120	M6	7.5	79	3.0	B	MX7-015-096120-197-K
1500	375	2250	255	96	170	M6	5.2	55	4.3	B	MX7-015-096170-257-K
1500	375	2250	340	116	148	M6	7.0	74	3.2	C	MX7-015-116148-347-K
1500	375	2250	365	116	148	M6	7.2	76	3.1	C	MX7-015-116148-367-K
1500	375	2250	405	116	148	M6	7.6	80	3.0	C	MX7-015-116148-407-K
1500	375	2250	510	116	203	M6	5.2	55	4.3	C	MX7-015-116203-517-K
1500	375	2250	680	116	253	M6	4.2	44	5.3	C	MX7-015-116253-687-K
1500	375	2250	730	116	253	M6	4.3	46	5.2	C	MX7-015-116253-737-K
1500	375	2250	810	116	323	M6	3.2	34	6.9	C	MX7-015-116323-817-K
1500	375	2250	1095	136	330	M6	3.7	39	6.1	E	MX7-015-136330-108-K

1800VDC, RATED VOLTAGE											
VOLTAGE [V]			CAP <sup>(3)</sup> μF	DIMENSIONS [mm]			CURRENT		ESR mΩ	CASE TYPE	ORDERING CODE
VDC	V -RIPPLE	V-PEAK <sup>(1)</sup>		D	L	TER- MINAL	I-PEAK <sup>(2)</sup> [kA]	I-RMS [A]			
1800	400	2500	170	96	170	M6	5.9	62	4.2	B	MX7-018-096170-177-K
1800	400	2500	220	96	170	M6	6.5	68	3.8	B	MX7-018-096170-227-K
1800	400	2500	315	116	148	M6	9.1	96	2.7	C	MX7-018-116148-317-K
1800	400	2500	630	116	323	M6	3.9	41	6.4	C	MX7-018-116323-637-K
1800	400	2500	890	136	290	M6	5.1	54	4.9	E	MX7-018-136290-897-K

\*\*CUSTOM CAPACITANCE AND THREAD TERMINALS ARE AVAILABLE

(1) NON-REPETITIVE PEAK VOLTAGE LESS THAN 00ms TYP.

(2) NON-REPETITIVE PEAK CURRENT LESS THAN 00ms TYP.

(3) MEASURED AT 1kHz ±20Hz AT 25°C

# MX7

HIGH VOLTAGE DC CAPACITORS

HIGH DENSITY, LOW INDUCTANCE

DC-LINK CAPACITORS ALUMINUM CASE

CUSTOM DESIGNS AVAILABLE



2000VDC, RATED VOLTAGE											
VOLTAGE [V]			CAP <sup>(3)</sup>	DIMENSIONS [mm]			CURRENT		ESR	CASE TYPE	ORDERING CODE
VDC	V-RIPPLE	V-PEAK <sup>(1)</sup>	μF	D	L	TER-MINAL	I-PEAK <sup>(2)</sup> [kA]	I-RMS [A]	mΩ		
2000	500	3000	60	76	115	M6	7.8	82	3.8	A	MX7-020-076115-606-K
2000	500	3000	70	96	120	M6	8.4	88	3.6	B	MX7-020-096120-706-K
2000	500	3000	75	96	120	M6	8.6	91	3.5	B	MX7-020-096120-756-K
2000	500	3000	90	96	120	M6	9.5	100	3.2	B	MX7-020-096120-906-K
2000	500	3000	105	96	120	M6	10.1	106	3.0	B	MX7-020-096120-107-K
2000	500	3000	115	96	120	M6	9.1	96	3.3	B	MX7-020-096120-117-K
2000	500	3000	120	96	120	M6	9.2	97	3.3	B	MX7-020-096120-127-K
2000	500	3000	160	116	148	M6	7.6	81	3.9	C	MX7-020-116148-167-K
2000	500	3000	165	96	170	M6	6.5	69	4.6	B	MX7-020-096170-167-K
2000	500	3000	170	116	148	M6	7.8	82	3.8	C	MX7-020-116148-177-K
2000	500	3000	180	96	170	M6	6.8	71	4.4	B	MX7-020-096170-187-K
2000	500	3000	195	116	148	M6	8.3	88	3.6	C	MX7-020-116148-197-K
2000	500	3000	230	116	148	M6	9.0	95	3.3	C	MX7-020-116148-237-K
2000	500	3000	270	116	203	M6	5.8	61	5.2	C	MX7-020-116203-277-K
2000	500	3000	275	136	130	M6	13.7	144	2.2	D	MX7-020-136130-277-K
2000	500	3000	310	116	203	M6	6.1	64	4.9	C	MX7-020-116203-317-K
2000	500	3000	345	116	253	M6	5.5	58	5.5	C	MX7-020-116253-347-K
2000	500	3000	390	116	253	M6	5.8	61	5.2	C	MX7-020-116253-397-K
2000	500	3000	460	116	323	M6	3.8	40	7.8	C	MX7-020-116323-467-K
2000	500	3000	480	116	323	M6	3.9	41	7.6	C	MX7-020-116323-487-K
2000	500	3000	560	136	330	M6	4.2	44	7.2	E	MX7-020-136330-567-K
2000	500	3000	585	136	330	M6	4.3	45	7.0	E	MX7-020-136330-587-K
2000	500	3000	620	136	330	M6	4.4	47	6.8	E	MX7-020-136330-627-K

\*\*CUSTOM CAPACITANCE AND THREAD TERMINALS ARE AVAILABLE

(1) NON-REPETITIVE PEAK VOLTAGE LESS THAN 00ms TYP.

(2) NON-REPETITIVE PEAK CURRENT LESS THAN 00ms TYP.

(3) MEASURED AT 1kHz ±20Hz AT 25°C

# MX7

## HIGH VOLTAGE DC CAPACITORS

HIGH DENSITY, LOW INDUCTANCE

DC-LINK CAPACITORS ALUMINUM CASE

CUSTOM DESIGNS AVAILABLE



2000	500	3000	640	136	330	M6	4.5	47	6.7	E	MX7-020-136330-647-K
2000	500	3000	735	136	330	M6	4.8	51	6.2	E	MX7-020-136330-737-K

2200VDC, RATED VOLTAGE											
VOLTAGE [V]			CAP <sup>(3)</sup>	DIMENSIONS [mm]			CURRENT		ESR	CASE TYPE	ORDERING CODE
VDC	V-RIPPLE	V-PEAK <sup>(1)</sup>	μF	D	L	TER-MINAL	I-PEAK <sup>(2)</sup> [kA]	I-RMS [A]	mΩ		
2200	550	3100	50	76	115	M6	8.6	90	3.6	A	MX7-022-076115-506-K
2200	550	3100	85	96	120	M6	11.1	116	2.8	B	MX7-022-096120-856-K
2200	550	3100	90	96	120	M6	10.0	105	3.1	B	MX7-022-096120-906-K
2200	550	3100	95	96	120	M6	10.1	106	3.1	B	MX7-022-096120-956-K
2200	550	3100	100	96	120	M6	10.3	109	3.0	B	MX7-022-096120-107-K
2200	550	3100	130	96	170	M6	7.1	75	4.4	B	MX7-022-096170-137-K
2200	550	3100	155	116	148	M6	9.1	96	3.4	C	MX7-022-116148-157-K
2200	550	3100	170	96	250	M6	4.8	51	6.4	B	MX7-022-096250-177-K
2200	550	3100	180	116	148	M6	9.8	103	3.2	C	MX7-022-116148-187-K
2200	550	3100	220	116	253	M6	5.4	57	5.7	C	MX7-022-116253-227-K
2200	550	3100	270	116	253	M6	5.9	62	5.2	C	MX7-022-116253-277-K
2200	550	3100	310	116	253	M6	6.3	67	4.9	C	MX7-022-116253-317-K
2200	550	3100	360	116	323	M6	4.1	44	7.5	C	MX7-022-116323-367-K
2200	550	3100	390	116	323	M6	4.4	46	7.1	C	MX7-022-116323-397-K
2200	550	3100	465	136	290	M6	5.6	59	5.6	E	MX7-022-136290-467-K
2200	550	3100	520	136	290	M6	5.9	62	5.2	E	MX7-022-136290-527-K
2200	550	3100	660	136	330	M6	5.0	53	6.2	E	MX7-022-136330-667-K

\*\*CUSTOM CAPACITANCE AND THREAD TERMINALS ARE AVAILABLE

(1) NON-REPETITIVE PEAK VOLTAGE LESS THAN 00ms TYP.

(2) NON-REPETITIVE PEAK CURRENT LESS THAN 00ms TYP.

(3) MEASURED AT 1kHz ±20Hz AT 25°C

# MX7

HIGH VOLTAGE DC CAPACITORS

HIGH DENSITY, LOW INDUCTANCE

DC-LINK CAPACITORS ALUMINUM CASE

CUSTOM DESIGNS AVAILABLE



2600VDC, RATED VOLTAGE											
VOLTAGE [V]			CAP <sup>(3)</sup> μF	DIMENSIONS [mm]			CURRENT		ESR mΩ	CASE TYPE	ORDERING CODE
VDC	V -RIPPLE	V-PEAK <sup>(1)</sup>		D	L	TER- MINAL	I-PEAK <sup>(2)</sup> [kA]	I-RMS [A]			
2600	650	3900	95	96	170	M6	8.6	91	4.5	B	MX7-026-096170-956-K
2600	650	3900	120	96	250	M6	6.6	70	5.9	B	MX7-026-096250-127-K
2600	650	3900	175	116	203	M6	8.0	84	4.9	C	MX7-026-116203-177-K
2600	650	3900	350	136	330	M6	5.2	55	7.5	E	MX7-026-136330-357-K

3000VDC, RATED VOLTAGE											
VOLTAGE [V]			CAP <sup>(3)</sup> μF	DIMENSIONS [mm]			CURRENT		ESR mΩ	CASE TYPE	ORDERING CODE
VDC	V -RIPPLE	V-PEAK <sup>(1)</sup>		D	L	TER- MINAL	I-PEAK <sup>(2)</sup> [kA]	I-RMS [A]			
3000	750	4500	45	96	120	M6	13.8	145	3.3	B	MX7-030-096120-456-K
3000	750	4500	50	96	170	M6	8.2	86	5.5	B	MX7-030-096170-506-K
3000	750	4500	70	96	170	M6	9.5	100	4.7	B	MX7-030-096170-706-K
3000	750	4500	75	96	170	M6	9.8	103	4.6	B	MX7-030-096170-756-K
3000	750	4500	85	116	148	M6	13.4	141	3.4	C	MX7-030-116148-856-K
3000	750	4500	95	96	250	M6	7.0	74	6.4	B	MX7-030-096250-956-K
3000	750	4500	100	116	148	M6	14.0	148	3.2	C	MX7-030-116148-107-K
3000	750	4500	120	116	253	M6	7.8	83	5.7	C	MX7-030-116253-127-K
3000	750	4500	135	116	253	M6	8.3	88	5.4	C	MX7-030-116253-137-K
3000	750	4500	170	116	323	M6	6.8	71	6.7	C	MX7-030-116323-177-K
3000	750	4500	200	116	323	M6	5.8	61	7.8	C	MX7-030-116323-207-K
3000	750	4500	255	136	290	M6	8.0	84	5.6	E	MX7-030-136290-257-K
3000	750	4500	280	136	330	M6	6.7	71	6.7	E	MX7-030-136330-287-K

\*\*CUSTOM CAPACITANCE AND THREAD TERMINALS ARE AVAILABLE

(1) NON-REPETITIVE PEAK VOLTAGE LESS THAN 00ms TYP.

(2) NON-REPETITIVE PEAK CURRENT LESS THAN 00ms TYP.

(3) MEASURED AT 1kHz ±20Hz AT 25°C

# MX7

HIGH VOLTAGE DC CAPACITORS

HIGH DENSITY, LOW INDUCTANCE

DC-LINK CAPACITORS ALUMINUM CASE

CUSTOM DESIGNS AVAILABLE



3200VDC, RATED VOLTAGE											
VOLTAGE [V]			CAP <sup>(3)</sup> μF	DIMENSIONS [mm]			CURRENT		ESR mΩ	CASE TYPE	ORDERING CODE
VDC	V -RIPPLE	V-PEAK <sup>(1)</sup>		D	L	TER- MINAL	I-PEAK <sup>(2)</sup> [kA]	I-RMS [A]			
3200	800	4700	45	96	170	M6	9.8	103	4.8	B	MX7-032-096170-456-K
3200	800	4700	55	96	170	M6	10.4	110	4.5	B	MX7-032-096170-556-K
3200	800	4700	80	116	203	M6	12.6	132	3.7	C	MX7-032-116203-806-K
3200	800	4700	160	116	323	M6	6.3	66	7.5	C	MX7-032-116323-167-K

3600VDC, RATED VOLTAGE											
VOLTAGE [V]			CAP <sup>(3)</sup> μF	DIMENSIONS [mm]			CURRENT		ESR mΩ	CASE TYPE	ORDERING CODE
VDC	V -RIPPLE	V-PEAK <sup>(1)</sup>		D	L	TER- MINAL	I-PEAK <sup>(2)</sup> [kA]	I-RMS [A]			
3600	900	5400	30	96	120	M6	17.1	180	3.2	B	MX7-036-096120-306-K
3600	900	5400	40	96	170	M6	11.9	125	4.6	B	MX7-036-096170-406-K
3600	900	5400	50	116	148	M6	15.6	164	3.5	C	MX7-036-116148-506-K
3600	900	5400	55	96	250	M6	8.3	87	6.5	B	MX7-036-096250-556-K
3600	900	5400	80	116	253	M6	10.0	105	5.4	C	MX7-036-116253-806-K
3600	900	5400	110	116	323	M6	6.5	69	8.3	C	MX7-036-116323-117-K
3600	900	5400	145	136	290	M6	9.4	98	5.8	E	MX7-036-136290-147-K
3600	900	5400	165	136	330	M6	7.9	84	6.8	E	MX7-036-136330-167-K

\*\*CUSTOM CAPACITANCE AND THREAD TERMINALS ARE AVAILABLE

(1) NON-REPETITIVE PEAK VOLTAGE LESS THAN 00ms TYP.

(2) NON-REPETITIVE PEAK CURRENT LESS THAN 00ms TYP.

(3) MEASURED AT 1kHz ±20Hz AT 25°C

ALL INFORMATION ON THE FILE MAY CHANGE WITHOUT NOTICE

#303 Hyundai I Valley, 149 Gongdanro, Gunpo City, Gyeonggi-do, Korea

VOICE. +82-31-429-6379 FAX. +82-31-429-9127

info@3RLab.com www.3RLab.com 3RLab, Inc.



UPDATE 2023-05-03