

# AX8

HIGH VOLTAGE AIR HOLE DC FILM CAPACITORS

HIGH CURRENT METALLIZED POLYPROPYLENE  
WITH DOUBLE SIDED METALLIZED  
CUSTOM DESIGNS AVAILABLE

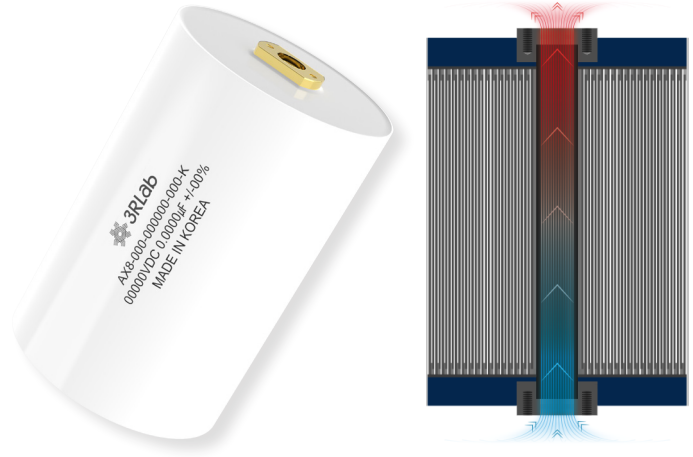


## MAIN FEATURES:

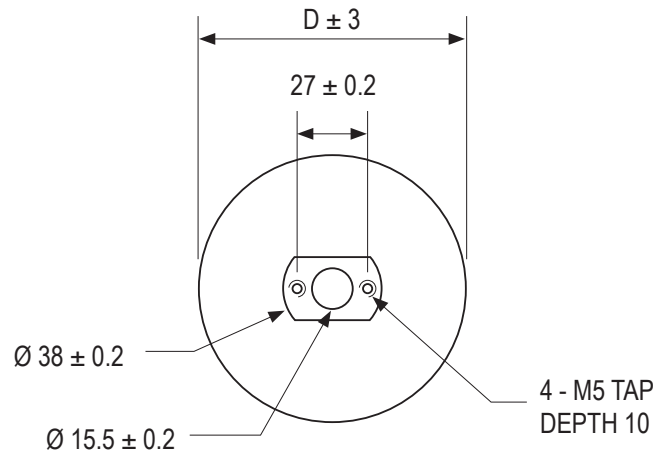
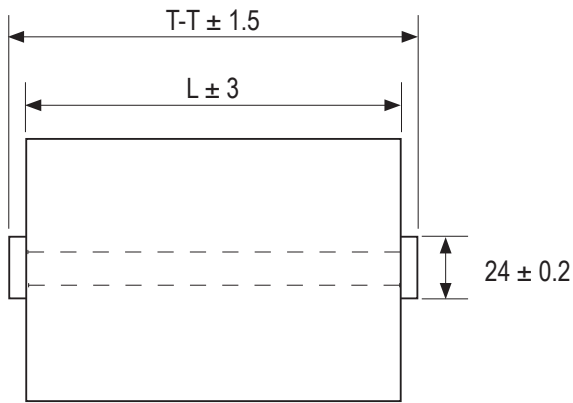
- SELF-HEALING METALLIZED POLYPROPYLENE FILM
- TAPE WRAP CASE
- EPOXY RESIN FILLING

## MAIN APPLICATIONS:

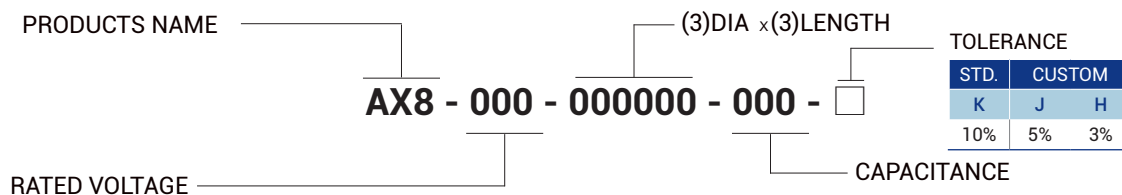
- HIGH VOLTAGE, MEDIUM PULSE APPLICATIONS
- ENERGY CONVERSION AND CONTROL IN POWER SEMICONDUCTOR CIRCUITS
- SMPS, MOTOR SPEED CONTROLS



## DIMENSIONS [mm]



## ORDERING INFORMATION



ALL SPECIFICATIONS MAY CHANGE WITHOUT NOTICE

# AX8

HIGH VOLTAGE AIR HOLE DC FILM CAPACITORS

HIGH CURRENT METALLIZED POLYPROPYLENE  
WITH DOUBLE SIDED METALLIZED  
CUSTOM DESIGNS AVAILABLE



## SPECIFICATIONS

DC VOLTAGE RANGE	2000~50000 VDC
CAPACITANCE RANGE	UP TO 30 $\mu$ F
CAPACITANCE TOLERANCE (AT 1kHz)	STANDARD: $\pm$ 10% ON REQUEST $\pm$ 3, 5%
EQUIVALENT SERIES RESISTANCE (ESR)	< 4.5 m $\Omega$
MAXIMUM VOLTAGE RATE OF RISE(dV/dT)	$\leq$ 3500 V/ $\mu$ s
TERMINALS	M5 TAP DEPTH 10mm
VOLTAGE TEST	RATED VOLTAGE X 1.5 TIMES FOR 10 SECS
WORKING & STORAGE TEMPERATURE	-55 / +85 $^{\circ}$ C
CYLINDRICAL CASE AND FILLING	FLAME RETARDANT EPOXY RESIN FILLER AND TAPE WRAP
PROTECTIVE MECHANISM	SELF HEALING
LIFE EXPECTANCY	100,000 HOURS TYP.
M5 SCREW TERMINALS	MAX. 6 N·m
DISSIPATION FACTOR	DF VALUE $\leq$ 0.05 %, MEASURED AT 25 $\pm$ 5 $^{\circ}$ C, 1 kHz
INSULATION RESISTANCE (RINS)	C $\leq$ 0.33 $\mu$ F $\geq$ 100,000M $\Omega$ , C > 0.33 $\mu$ F $\geq$ 30,000 SEC (M $\Omega$ X $\mu$ F) AT 25 $\pm$ 5 $^{\circ}$ C, AFTER 1 MINUTE OF ELECTRIFICATION AT 100VDC

# AX8

HIGH VOLTAGE AIR HOLE DC FILM CAPACITORS

HIGH CURRENT METALLIZED POLYPROPYLENE  
WITH DOUBLE SIDED METALLIZED  
CUSTOM DESIGNS AVAILABLE



600VDC, RATED VOLTAGE								
VOLTAGE [V]		CAP <sup>(3)</sup>	DIMENSIONS [mm]			TERMINAL	CURRENT	ORDERING CODE
VDC	V-PEAK <sup>(1)</sup>	μF	D	L	T - T		I-PEAK <sup>(2)</sup> [A]	
600	950	5	53	80	90	M5	1500	AX8-006-053080-505-K
600	950	5.6	55	80	90	M5	1680	AX8-006-055080-565-K
600	950	6	57	80	90	M5	1800	AX8-006-057080-605-K
600	950	7	61	80	90	M5	2100	AX8-006-061080-705-K
600	950	8	65	80	90	M5	2400	AX8-006-065080-805-K
600	950	9	68	80	90	M5	2700	AX8-006-068080-905-K
600	950	10	71	80	90	M5	3000	AX8-006-071080-106-K
600	950	12	77	80	90	M5	3600	AX8-006-077080-126-K
600	950	15	85	80	90	M5	4500	AX8-006-085080-156-K
600	950	18	93	80	90	M5	5400	AX8-006-093080-186-K
600	950	20	97	80	90	M5	6000	AX8-006-097080-206-K
600	950	22	102	80	90	M5	6600	AX8-006-102080-226-K
600	950	25	108	80	90	M5	7500	AX8-006-108080-256-K
600	950	30	119	80	90	M5	9000	AX8-006-119080-306-K

\*\*CAPACITANCE AND THREADS TERMINAL AVAILABLE AS CUSTOM.

(1) NON-REPETITIVE PEAK VOLTAGE LESS THAN 00μs TYP.

(2) NON-REPETITIVE PEAK CURRENT LESS THAN 00μs TYP.

(3) MEASURED AT 1kHz ±20Hz AT 25°C

# AX8

HIGH VOLTAGE AIR HOLE DC FILM CAPACITORS

HIGH CURRENT METALLIZED POLYPROPYLENE  
WITH DOUBLE SIDED METALLIZED  
CUSTOM DESIGNS AVAILABLE



800VDC, RATED VOLTAGE								
VOLTAGE [V]		CAP <sup>(3)</sup>	DIMENSIONS [mm]			TERMINAL	CURRENT	ORDERING CODE
VDC	V-PEAK <sup>(1)</sup>	μF	D	L	T - T		I-PEAK <sup>(2)</sup> [A]	
800	1250	4	51	80	90	M5	1600	AX8-008-051080-405-K
800	1250	4.7	54	80	90	M5	1880	AX8-008-054080-475-K
800	1250	5	56	80	90	M5	2000	AX8-008-056080-505-K
800	1250	5.6	59	80	90	M5	2240	AX8-008-059080-565-K
800	1250	6	61	80	90	M5	2400	AX8-008-061080-605-K
800	1250	7	64	80	90	M5	2800	AX8-008-064080-705-K
800	1250	8	68	80	90	M5	3200	AX8-008-068080-805-K
800	1250	9	72	80	90	M5	3600	AX8-008-072080-905-K
800	1250	10	75	80	90	M5	4000	AX8-008-075080-106-K
800	1250	12	82	80	90	M5	4800	AX8-008-082080-126-K
800	1250	15	90	80	90	M5	6000	AX8-008-090080-156-K
800	1250	18	98	80	90	M5	7200	AX8-008-098080-186-K
800	1250	20	104	80	90	M5	8000	AX8-008-104080-206-K
800	1250	22	109	80	90	M5	8800	AX8-008-109080-226-K
800	1250	25	116	80	90	M5	10000	AX8-008-116080-256-K

\*\*CAPACITANCE AND THREADS TERMINAL AVAILABLE AS CUSTOM.

(1) NON-REPETITIVE PEAK VOLTAGE LESS THAN 00μs TYP.

(2) NON-REPETITIVE PEAK CURRENT LESS THAN 00μs TYP.

(3) MEASURED AT 1kHz ±20Hz AT 25°C

# AX8

HIGH VOLTAGE AIR HOLE DC FILM CAPACITORS

HIGH CURRENT METALLIZED POLYPROPYLENE  
WITH DOUBLE SIDED METALLIZED  
CUSTOM DESIGNS AVAILABLE



1000VDC, RATED VOLTAGE								
VOLTAGE [V]		CAP <sup>(3)</sup>	DIMENSIONS [mm]			TERMINAL	CURRENT	ORDERING CODE
VDC	V-PEAK <sup>(1)</sup>	μF	D	L	T - T		I-PEAK <sup>(2)</sup> [A]	
1000	1550	3	50	80	90	M5	1500	AX8-010-050080-305-K
1000	1550	3.3	51	80	90	M5	1650	AX8-010-051080-335-K
1000	1550	3.7	52	80	90	M5	1850	AX8-010-052080-375-K
1000	1550	4	53	80	90	M5	2000	AX8-010-053080-405-K
1000	1550	4.7	57	80	90	M5	2350	AX8-010-057080-475-K
1000	1550	5	59	80	90	M5	2500	AX8-010-059080-505-K
1000	1550	5.6	61	80	90	M5	2800	AX8-010-061080-565-K
1000	1550	6	63	80	90	M5	3000	AX8-010-063080-605-K
1000	1550	7	68	80	90	M5	3500	AX8-010-068080-705-K
1000	1550	8	72	80	90	M5	4000	AX8-010-072080-805-K
1000	1550	9	75	80	90	M5	4500	AX8-010-075080-905-K
1000	1550	10	79	80	90	M5	5000	AX8-010-079080-106-K
1000	1550	12	86	80	90	M5	6000	AX8-010-086080-126-K
1000	1550	15	95	80	90	M5	7500	AX8-010-095080-156-K
1000	1550	18	105	80	90	M5	9000	AX8-010-105080-186-K
1000	1550	20	110	80	90	M5	10000	AX8-010-110080-206-K

\*\*CAPACITANCE AND THREADS TERMINAL AVAILABLE AS CUSTOM.

(1) NON-REPETITIVE PEAK VOLTAGE LESS THAN 00μs TYP.

(2) NON-REPETITIVE PEAK CURRENT LESS THAN 00μs TYP.

(3) MEASURED AT 1kHz ±20Hz AT 25°C

# AX8

HIGH VOLTAGE AIR HOLE DC FILM CAPACITORS

HIGH CURRENT METALLIZED POLYPROPYLENE  
WITH DOUBLE SIDED METALLIZED  
CUSTOM DESIGNS AVAILABLE



1200VDC, RATED VOLTAGE								
VOLTAGE [V]		CAP <sup>(3)</sup>	DIMENSIONS [mm]			TERMINAL	CURRENT	ORDERING CODE
VDC	V-PEAK <sup>(1)</sup>	μF	D	L	T - T		I-PEAK <sup>(2)</sup> [A]	
1200	1800	2.2	51	80	90	M5	1320	AX8-012-051080-225-K
1200	1800	2.5	54	80	90	M5	1500	AX8-012-054080-255-K
1200	1800	3	58	80	90	M5	1800	AX8-012-058080-305-K
1200	1800	3.3	61	80	90	M5	1980	AX8-012-061080-335-K
1200	1800	4	66	80	90	M5	2400	AX8-012-066080-405-K
1200	1800	4.7	70	80	90	M5	2820	AX8-012-070080-475-K
1200	1800	5	72	80	90	M5	3000	AX8-012-072080-505-K
1200	1800	5.6	76	80	90	M5	3360	AX8-012-076080-565-K
1200	1800	6	78	80	90	M5	3600	AX8-012-078080-605-K
1200	1800	7	84	80	90	M5	4200	AX8-012-084080-705-K
1200	1800	8	89	80	90	M5	4800	AX8-012-089080-805-K
1200	1800	9	95	80	90	M5	5400	AX8-012-095080-905-K
1200	1800	10	100	80	90	M5	6000	AX8-012-100080-106-K
1200	1800	12	108	80	90	M5	7200	AX8-012-108080-126-K
1200	1800	15	120	80	90	M5	9000	AX8-012-120080-156-K

\*\*CAPACITANCE AND THREADS TERMINAL AVAILABLE AS CUSTOM.

(1) NON-REPETITIVE PEAK VOLTAGE LESS THAN 00μs TYP.

(2) NON-REPETITIVE PEAK CURRENT LESS THAN 00μs TYP.

(3) MEASURED AT 1kHz ±20Hz AT 25°C

# AX8

HIGH VOLTAGE AIR HOLE DC FILM CAPACITORS

HIGH CURRENT METALLIZED POLYPROPYLENE  
WITH DOUBLE SIDED METALLIZED  
CUSTOM DESIGNS AVAILABLE



1600VDC, RATED VOLTAGE								
VOLTAGE [V]		CAP <sup>(3)</sup>	DIMENSIONS [mm]			TERMINAL	CURRENT	ORDERING CODE
VDC	V-PEAK <sup>(1)</sup>	μF	D	L	T - T		I-PEAK <sup>(2)</sup> [A]	
1600	2400	2	54	80	90	M5	1600	AX8-016-054080-205-K
1600	2400	2.2	56	80	90	M5	1760	AX8-016-056080-225-K
1600	2400	2.5	60	80	90	M5	2000	AX8-016-060080-255-K
1600	2400	3	64	80	90	M5	2400	AX8-016-064080-305-K
1600	2400	3.3	67	80	90	M5	2640	AX8-016-067080-335-K
1600	2400	3.7	70	80	90	M5	2960	AX8-016-070080-375-K
1600	2400	4	73	80	90	M5	3200	AX8-016-073080-405-K
1600	2400	4.7	78	80	90	M5	3760	AX8-016-078080-475-K
1600	2400	5	81	80	90	M5	4000	AX8-016-081080-505-K
1600	2400	5.6	85	80	90	M5	4480	AX8-016-085080-565-K
1600	2400	6	88	80	90	M5	4800	AX8-016-088080-605-K
1600	2400	7	94	80	90	M5	5600	AX8-016-094080-705-K
1600	2400	7.5	97	80	90	M5	6000	AX8-016-097080-755-K
1600	2400	8	100	80	90	M5	6400	AX8-016-100080-805-K
1600	2400	9	106	80	90	M5	7200	AX8-016-106080-905-K
1600	2400	10	112	80	90	M5	8000	AX8-016-112080-106-K

\*\*CAPACITANCE AND THREADS TERMINAL AVAILABLE AS CUSTOM.

(1) NON-REPETITIVE PEAK VOLTAGE LESS THAN 00μs TYP.

(2) NON-REPETITIVE PEAK CURRENT LESS THAN 00μs TYP.

(3) MEASURED AT 1kHz ±20Hz AT 25°C

# AX8

HIGH VOLTAGE AIR HOLE DC FILM CAPACITORS

HIGH CURRENT METALLIZED POLYPROPYLENE  
WITH DOUBLE SIDED METALLIZED  
CUSTOM DESIGNS AVAILABLE



2000VDC, RATED VOLTAGE								
VOLTAGE [V]		CAP <sup>(3)</sup>	DIMENSIONS [mm]			TERMINAL	CURRENT	ORDERING CODE
VDC	V-PEAK <sup>(1)</sup>	μF	D	L	T - T		I-PEAK <sup>(2)</sup> [A]	
2000	3000	1.2	50	80	90	M5	1200	AX8-020-050080-125-K
2000	3000	1.5	54	80	90	M5	1500	AX8-020-054080-155-K
2000	3000	2	61	80	90	M5	2000	AX8-020-061080-205-K
2000	3000	2.2	64	80	90	M5	2200	AX8-020-064080-225-K
2000	3000	2.5	67	80	90	M5	2500	AX8-020-067080-255-K
2000	3000	3	73	80	90	M5	3000	AX8-020-073080-305-K
2000	3000	3.3	77	80	90	M5	3300	AX8-020-077080-335-K
2000	3000	3.7	81	80	90	M5	2590	AX8-020-081080-375-K
2000	3000	4	83	80	90	M5	2800	AX8-020-083080-405-K
2000	3000	4.7	89	80	90	M5	3290	AX8-020-089080-475-K
2000	3000	5	72	112	122	M5	3500	AX8-020-720112-505-K
2000	3000	6	78	112	122	M5	4200	AX8-020-780112-605-K
2000	3000	7	83	112	122	M5	4900	AX8-020-830112-705-K
2000	3000	7.5	86	112	122	M5	5250	AX8-020-860112-755-K
2000	3000	8	88	112	122	M5	5600	AX8-020-880112-805-K
2000	3000	9	93	112	122	M5	6300	AX8-020-930112-905-K
2000	3000	10	98	112	122	M5	7000	AX8-020-980112-106-K
2000	3000	12	107	112	122	M5	8400	AX8-020-107112-126-K
2000	3000	15	120	112	122	M5	10500	AX8-020-120112-156-K

\*\*CAPACITANCE AND THREADS TERMINAL AVAILABLE AS CUSTOM.

(1) NON-REPETITIVE PEAK VOLTAGE LESS THAN 00μs TYP.

(2) NON-REPETITIVE PEAK CURRENT LESS THAN 00μs TYP.

(3) MEASURED AT 1kHz ±20Hz AT 25°C



# AX8

HIGH VOLTAGE AIR HOLE DC FILM CAPACITORS

HIGH CURRENT METALLIZED POLYPROPYLENE  
WITH DOUBLE SIDED METALLIZED  
CUSTOM DESIGNS AVAILABLE



3000VDC, RATED VOLTAGE								
VOLTAGE [V]		CAP <sup>(3)</sup>	DIMENSIONS [mm]			TERMINAL	CURRENT	ORDERING CODE
VDC	V-PEAK <sup>(1)</sup>	μF	D	L	T - T		I-PEAK <sup>(2)</sup> [A]	
3000	4500	0.68	52	80	90	M5	1020	AX8-030-052080-684-K
3000	4500	1	61	80	90	M5	1500	AX8-030-061080-105-K
3000	4500	1.2	66	80	90	M5	1800	AX8-030-066080-125-K
3000	4500	1.5	72	80	90	M5	2250	AX8-030-072080-155-K
3000	4500	2	82	80	90	M5	2100	AX8-030-082080-205-K
3000	4500	2.2	66	112	122	M5	2310	AX8-030-660112-225-K
3000	4500	2.5	72	112	122	M5	2625	AX8-030-720112-255-K
3000	4500	3	76	112	122	M5	3150	AX8-030-760112-305-K
3000	4500	3.3	79	112	122	M5	3465	AX8-030-790112-335-K
3000	4500	3.7	83	112	122	M5	3885	AX8-030-830112-375-K
3000	4500	4	86	112	122	M5	4200	AX8-030-860112-405-K
3000	4500	4.7	93	112	122	M5	4935	AX8-030-930112-475-K
3000	4500	5	96	112	122	M5	5250	AX8-030-960112-505-K
3000	4500	6	105	112	122	M5	6300	AX8-030-105112-605-K
3000	4500	7	112	112	122	M5	7350	AX8-030-112112-705-K

\*\*CAPACITANCE AND THREADS TERMINAL AVAILABLE AS CUSTOM.

(1) NON-REPETITIVE PEAK VOLTAGE LESS THAN 00μs TYP.

(2) NON-REPETITIVE PEAK CURRENT LESS THAN 00μs TYP.

(3) MEASURED AT 1kHz ±20Hz AT 25°C

# AX8

HIGH VOLTAGE AIR HOLE DC FILM CAPACITORS

HIGH CURRENT METALLIZED POLYPROPYLENE  
WITH DOUBLE SIDED METALLIZED  
CUSTOM DESIGNS AVAILABLE



4000VDC, RATED VOLTAGE								
VOLTAGE [V]		CAP <sup>(3)</sup>	DIMENSIONS [mm]			TERMINAL	CURRENT	ORDERING CODE
VDC	V-PEAK <sup>(1)</sup>	μF	D	L	T - T		I-PEAK <sup>(2)</sup> [A]	
4000	6000	0.33	50	80	90	M5	660	AX8-040-050080-334-K
4000	6000	0.47	57	80	90	M5	940	AX8-040-057080-474-K
4000	6000	0.68	66	80	90	M5	1360	AX8-040-066080-684-K
4000	6000	1	78	80	90	M5	2000	AX8-040-078080-105-K
4000	6000	1.2	87	112	122	M5	1680	AX8-040-087112-125-K
4000	6000	1.5	73	112	122	M5	2100	AX8-040-073112-155-K
4000	6000	2	83	112	122	M5	2800	AX8-040-083112-205-K
4000	6000	2.2	86	112	122	M5	3080	AX8-040-086112-225-K
4000	6000	2.5	92	112	122	M5	3500	AX8-040-092112-255-K
4000	6000	3	100	112	122	M5	4200	AX8-040-100112-305-K
4000	6000	3.3	105	112	122	M5	4620	AX8-040-105112-335-K
4000	6000	3.7	110	112	122	M5	5180	AX8-040-110112-375-K
4000	6000	4	115	112	122	M5	5600	AX8-040-115112-405-K

\*\*CAPACITANCE AND THREADS TERMINAL AVAILABLE AS CUSTOM.

(1) NON-REPETITIVE PEAK VOLTAGE LESS THAN 00μs TYP.

(2) NON-REPETITIVE PEAK CURRENT LESS THAN 00μs TYP.

(3) MEASURED AT 1kHz ±20Hz AT 25°C

# AX8

HIGH VOLTAGE AIR HOLE DC FILM CAPACITORS

HIGH CURRENT METALLIZED POLYPROPYLENE  
WITH DOUBLE SIDED METALLIZED  
CUSTOM DESIGNS AVAILABLE



6000VDC, RATED VOLTAGE								
VOLTAGE [V]		CAP <sup>(3)</sup>	DIMENSIONS [mm]			TERMINAL	CURRENT	ORDERING CODE
VDC	V-PEAK <sup>(1)</sup>	μF	D	L	T - T		I-PEAK <sup>(2)</sup> [A]	
6000	9000	0.22	50	112	122	M5	462	AX8-060-050112-224-K
6000	9000	0.33	56	112	122	M5	693	AX8-060-056112-334-K
6000	9000	0.47	65	112	122	M5	987	AX8-060-065112-474-K
6000	9000	0.68	77	112	122	M5	1428	AX8-060-077112-684-K
6000	9000	1	91	112	122	M5	2100	AX8-060-091112-105-K
6000	9000	1.2	100	112	122	M5	2520	AX8-060-100112-125-K
6000	9000	1.5	111	112	122	M5	3150	AX8-060-111112-155-K

10000VDC, RATED VOLTAGE								
VOLTAGE [V]		CAP <sup>(3)</sup>	DIMENSIONS [mm]			TERMINAL	CURRENT	ORDERING CODE
VDC	V-PEAK <sup>(1)</sup>	μF	D	L	T - T		I-PEAK <sup>(2)</sup> [A]	
10000	15000	0.1	51	112	122	M5	350	AX8-100-051112-104-K
10000	15000	0.15	60	112	122	M5	525	AX8-100-060112-154-K
10000	15000	0.22	71	112	122	M5	770	AX8-100-071112-224-K
10000	15000	0.33	85	112	122	M5	1155	AX8-100-085112-334-K
10000	15000	0.47	100	112	122	M5	1645	AX8-100-100112-474-K
10000	15000	0.68	119	112	122	M5	2380	AX8-100-119112-684-K

\*\*CAPACITANCE AND THREADS TERMINAL AVAILABLE AS CUSTOM.

(1) NON-REPETITIVE PEAK VOLTAGE LESS THAN 00μs TYP.

(2) NON-REPETITIVE PEAK CURRENT LESS THAN 00μs TYP.

(3) MEASURED AT 1kHz ±20Hz AT 25°C

# AX8

HIGH VOLTAGE AIR HOLE DC FILM CAPACITORS

HIGH CURRENT METALLIZED POLYPROPYLENE  
WITH DOUBLE SIDED METALLIZED  
CUSTOM DESIGNS AVAILABLE



20000VDC, RATED VOLTAGE								
VOLTAGE [V]		CAP <sup>(3)</sup>	DIMENSIONS [mm]			TERMINAL	CURRENT	ORDERING CODE
VDC	V-PEAK <sup>(1)</sup>	μF	D	L	T - T		I-PEAK <sup>(2)</sup> [A]	
20000	30000	0.022	50	136	146	M5	66	AX8-200-050136-223-K
20000	30000	0.033	58	136	146	M5	99	AX8-200-058136-333-K
20000	30000	0.047	68	136	146	M5	141	AX8-200-068136-473-K
20000	30000	0.068	79	136	146	M5	204	AX8-200-079136-683-K
20000	30000	0.1	95	136	146	M5	300	AX8-200-095136-104-K
20000	30000	0.15	114	136	146	M5	450	AX8-200-114136-154-K

30000VDC, RATED VOLTAGE								
VOLTAGE [V]		CAP <sup>(3)</sup>	DIMENSIONS [mm]			TERMINAL	CURRENT	ORDERING CODE
VDC	V-PEAK <sup>(1)</sup>	μF	D	L	T - T		I-PEAK <sup>(2)</sup> [A]	
30000	45000	0.01	50	174	184	M5	23	AX8-300-050174-103-K
30000	45000	0.015	57	174	184	M5	34	AX8-300-057174-153-K
30000	45000	0.022	67	174	184	M5	50	AX8-300-067174-223-K
30000	45000	0.033	80	174	184	M5	74	AX8-300-080174-333-K
30000	45000	0.047	94	174	184	M5	106	AX8-300-094174-473-K
30000	45000	0.068	111	174	184	M5	153	AX8-300-111174-683-K

\*\*CAPACITANCE AND THREADS TERMINAL AVAILABLE AS CUSTOM.

- (1) NON-REPETITIVE PEAK VOLTAGE LESS THAN 00μs TYP.
- (2) NON-REPETITIVE PEAK CURRENT LESS THAN 00μs TYP.
- (3) MEASURED AT 1kHz ±20Hz AT 25°C

# AX8

HIGH VOLTAGE AIR HOLE DC FILM CAPACITORS

HIGH CURRENT METALLIZED POLYPROPYLENE  
WITH DOUBLE SIDED METALLIZED  
CUSTOM DESIGNS AVAILABLE



50000VDC, RATED VOLTAGE								
VOLTAGE [V]		CAP <sup>(3)</sup>	DIMENSIONS [mm]			TERMINAL	CURRENT	ORDERING CODE
VDC	V-PEAK <sup>(1)</sup>	μF	D	L	T - T		I-PEAK <sup>(2)</sup> [A]	
50000	75000	0.0033	52	178	188	M5	7	AX8-500-052178-332-K
50000	75000	0.0047	61	178	188	M5	10	AX8-500-061178-472-K
50000	75000	0.0068	71	178	188	M5	15	AX8-500-071178-682-K
50000	75000	0.01	84	178	188	M5	22	AX8-500-084178-103-K
50000	75000	0.015	102	178	188	M5	33	AX8-500-102178-153-K
50000	75000	0.022	120	178	188	M5	48	AX8-500-120178-223-K

\*\*CAPACITANCE AND THREADS TERMINAL AVAILABLE AS CUSTOM.

(1) NON-REPETITIVE PEAK VOLTAGE LESS THAN 00μs TYP.

(2) NON-REPETITIVE PEAK CURRENT LESS THAN 00μs TYP.

(3) MEASURED AT 1kHz ±20Hz AT 25°C

ALL INFORMATION ON THE FILE MAY CHANGE WITHOUT NOTICE

#303 Hyundai I Valley, 149 Gongdanro, Gunpo City, Gyeonggi-do, Korea

VOICE. +82-31-429-6379 FAX. +82-31-429-9127

info@3RLab.com www.3RLab.com 3RLab, Inc.



UPDATE 2023-06-29